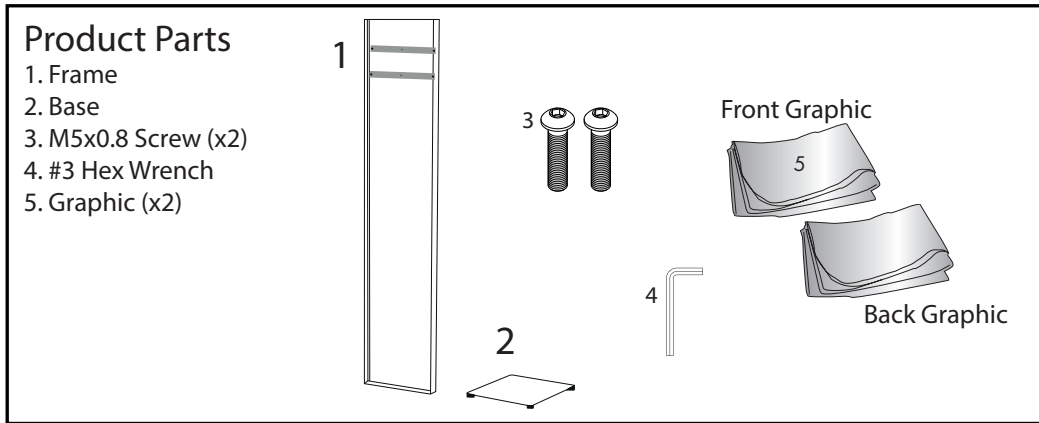
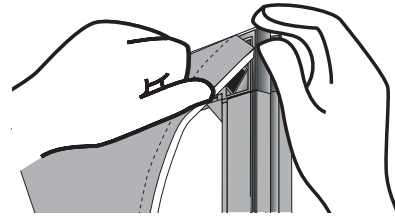


Impress Tower Display



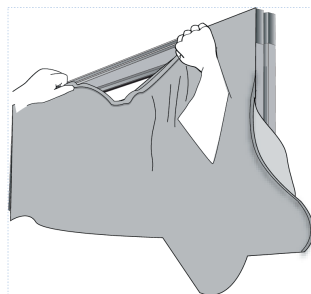
Step 1

On a clean flat surface lay Frame (1) down and install back Graphic (5) into each corner. The Graphic (5) fits into the frame by inserting gasket into the frames channel. Once each corner is secure, work towards the center on each side using your thumbs to smooth the gasket.



Step 2

Flip Frame (1) over and repeat for front Graphic (5).

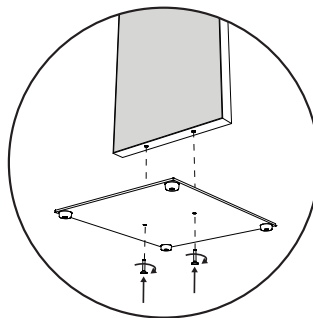


To remove the graphics, pull loop found on corner.



Step 3

Attach Frame (1) to Base (2) with the two M5x0.8 Screws (3) and tighten with #3 Hex Wrench (4).

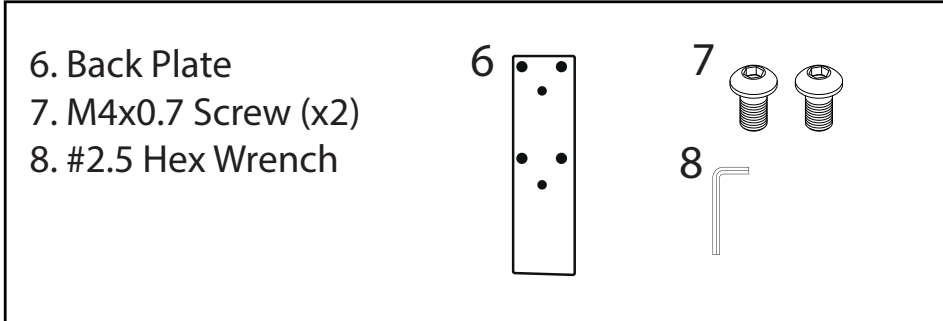


Storage & Care

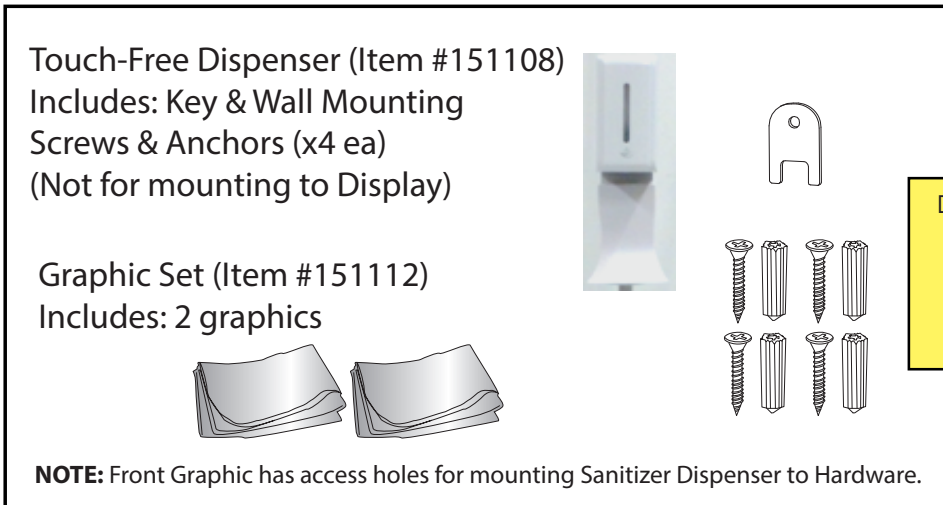
Place display parts in Carry Case (included) and store in a cool dry location. Recommended for indoor use only. Machine wash on gentle cycle. Tumble Dry No Heat. Do NOT Dry Clean.

Impress Tower Display Optional Usage

Additional parts included with hardware can be used to mount Touch-Free Sanitizer Dispenser (sold Separately) to display.



To use Display as a Sani-Station, purchase the Dispenser and Graphic Set listed below (Sold Separately)



DO NOT USE homemade formulas of sanitizer. For further guidance on sanitizer solutions go to <https://www.fda.gov/drugs/coronavirus-covid-19-drugs/hand-sanitizers-covid-19#consumers> for the FDA's guidance on sanitizer products.



Display when used as a Sani-Station